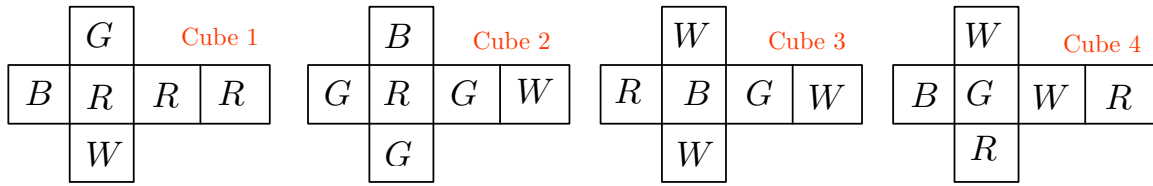
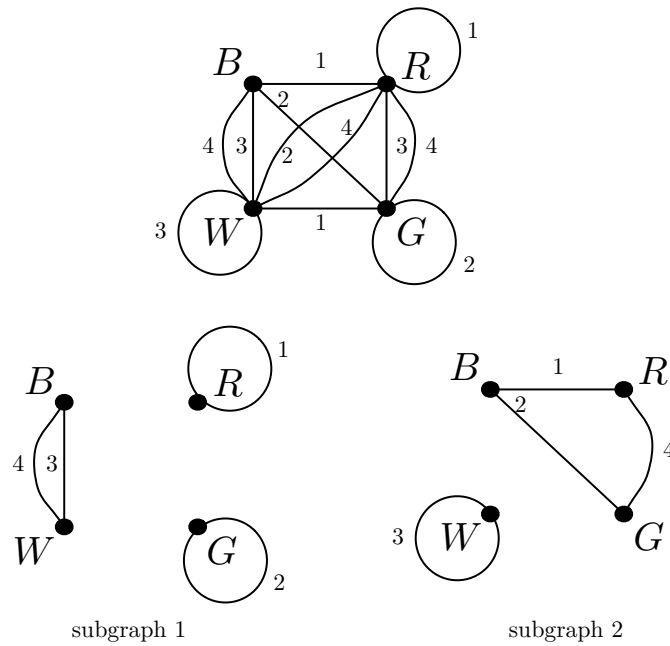


► Problem 9.1-4(h)

Find solution , where possible, for the cube games pictured in the following figure.



**Solution.** Here is the graph corresponding to the cubes and two edge disjoint subgraphs.



The solutions is

	Front	Back	Right	Left
cube 4	W	B	R	G
cube 3	B	W	W	W
cube 2	G	G	G	B
cube 1	R	R	B	R

□